



Compressed Air Energy Management System

Company / customer

Project description

CS-CFC\_V1

Job number

CAEMS\_02

Commission

CAEMS

Manufacturer (company)

CAEMS

Path

Project name

CS-CFC\_V1

Make

Type

Place of installation

Responsible for project

Part feature

Created on

18.1.2016

Edit date

26.10.2018

by (short name) Jernej V.

Number of pages 13

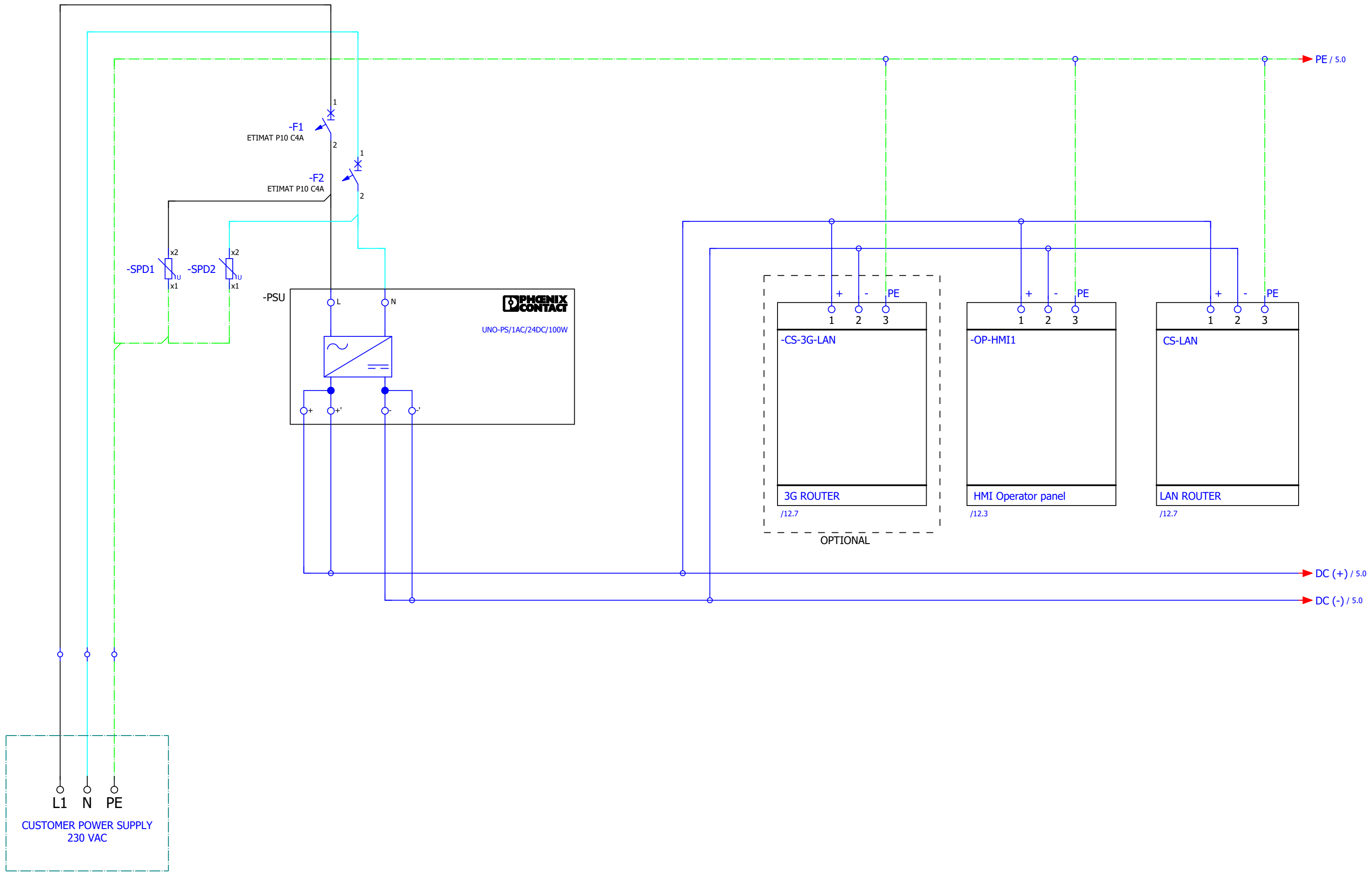
			Date	27.10.2017	Commission:	CAEMS	TITLE PAGE		= +	
			Ed.	Jernej V.	Project description:	CS-CFC_V1				
Modification	Date	Name	Original		Replacement of	Replaced by				
									All pages: 13	

# Table of contents

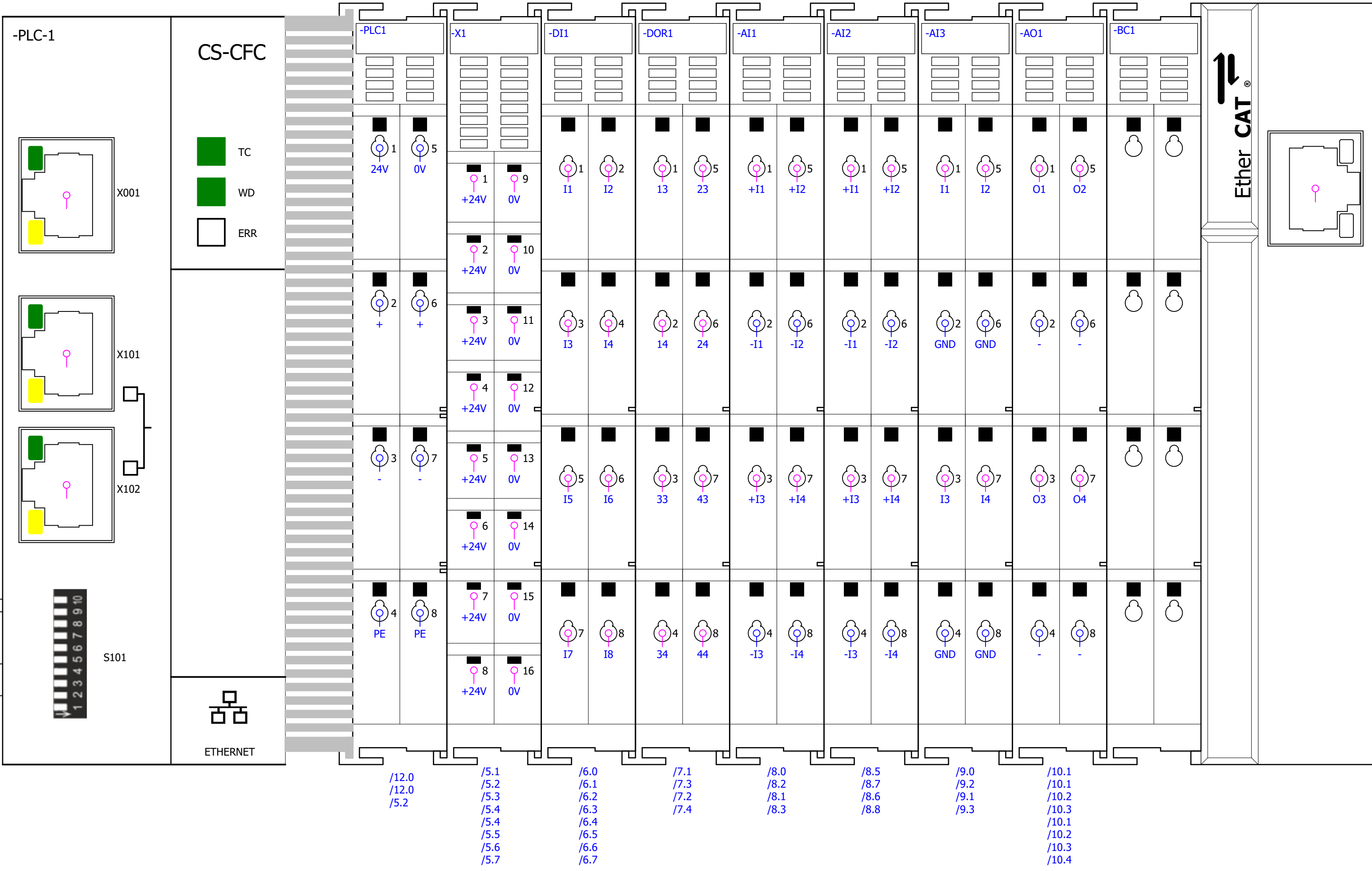
Column X: An automatically generated page was edited

F06\_001 CAMES1

Page	Page description	supplementary page field	Date	Edited by	X
/1	TITLE PAGE		27.10.2017	Jernej V.	X
/2	Table of contents : /1 - /13		2.11.2017	Jernej V.	
/3	POWER SUPPLY		27.10.2017	Jernej V.	
/4	PLC OVERVIEW		27.10.2017	Jernej V.	
/5	PLC AND SENSORS POWER SUPPLY		27.10.2017	Jernej V.	
/6	PLC DIGITAL INPUTS		27.10.2017	Jernej V.	
/7	PLC DIGITAL OUTPUTS		27.10.2017	Jernej V.	
/8	PLC ANALOG INPUTS		27.10.2017	Jernej V.	
/9	PLC ANALOG INPUTS		27.10.2017	Jernej V.	
/10	PLC ANALOG OUTPUTS		27.10.2017	Jernej V.	
/11	SENSORS WIRING		27.10.2017	Jernej V.	
/12	ETHERNET COMMUNICATION 2/2		27.10.2017	Jernej V.	
/13	MAIN REGULATION VALVE		27.10.2017	Jernej V.	

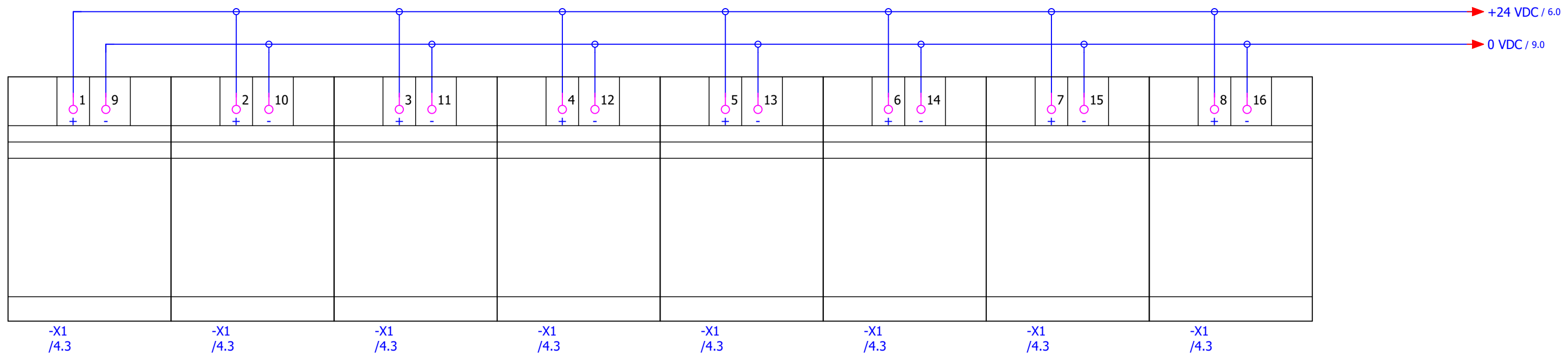
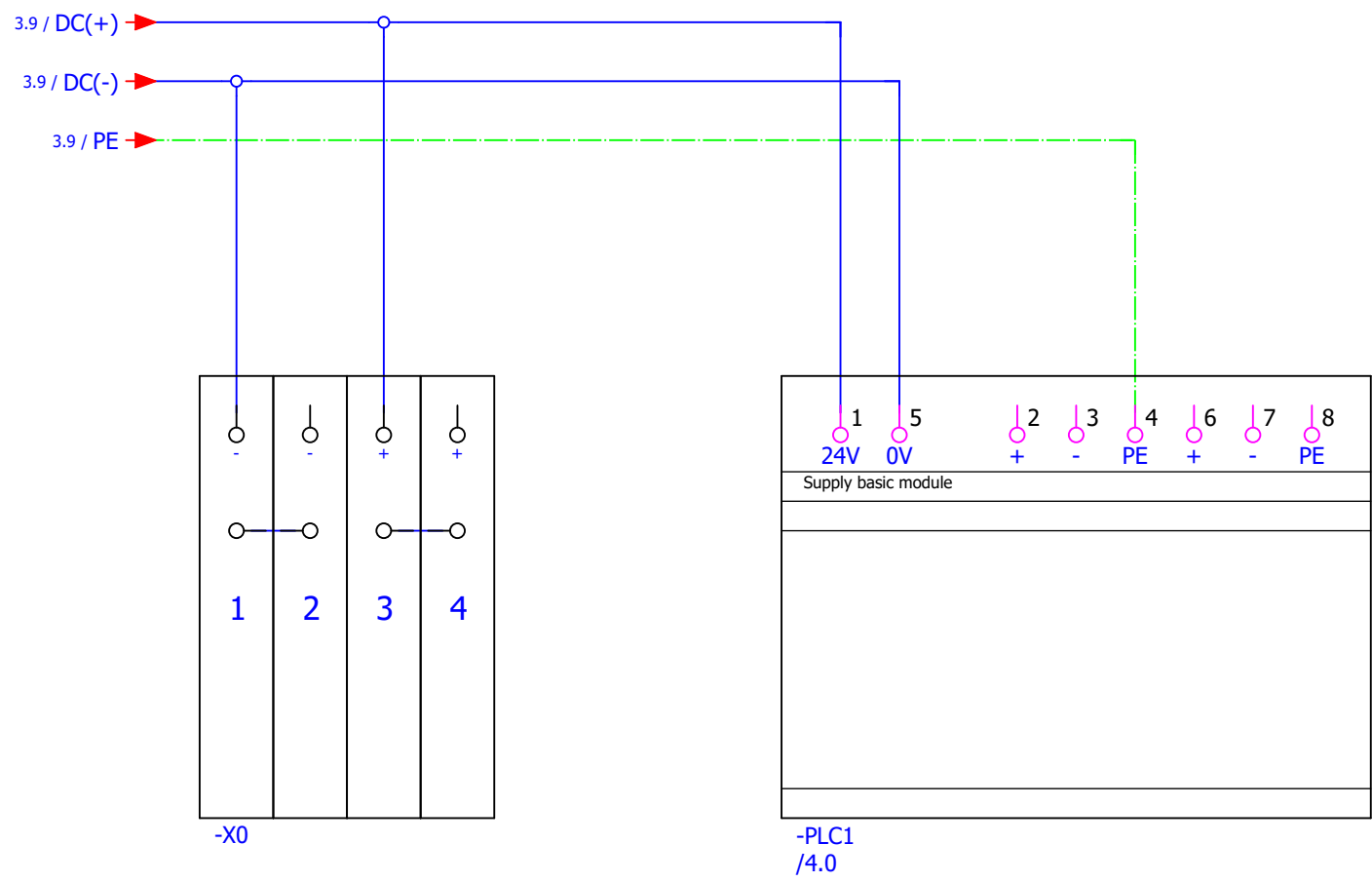


				Date	26.10.2018	Commission: CAEMS	POWER SUPPLY					
				Ed.	Jernej V.							
				Appr								
				Project description: CS-CFC_V1								
Modification	Date	Name	Original	Replacement of	Replaced by			CAEMS_02	Page:	3		
										All pages:	13	

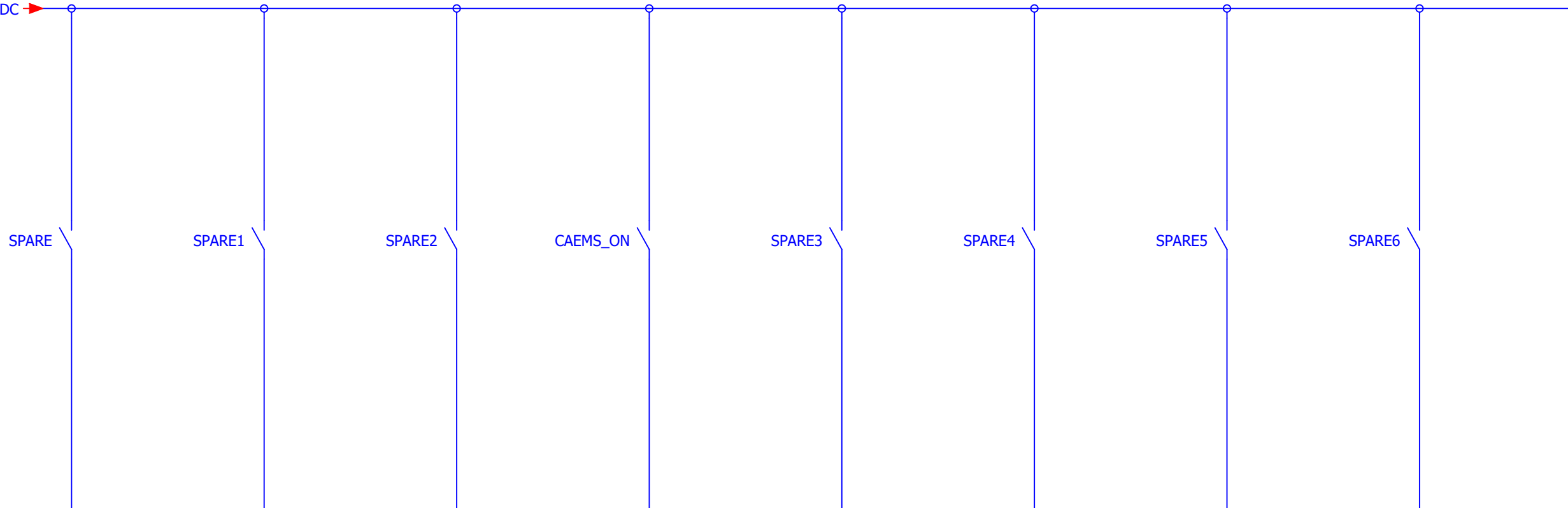


Date		27.10.2017		Commission: CAEMS		PLC OVERVIEW			
Ed.		Jernej V.		Project description: CS-CFC_V1					
Appr				Replacement of		Replaced by			
Modification	Date	Name	Original					CAEMS_02	Page: 4
									All pages: 13

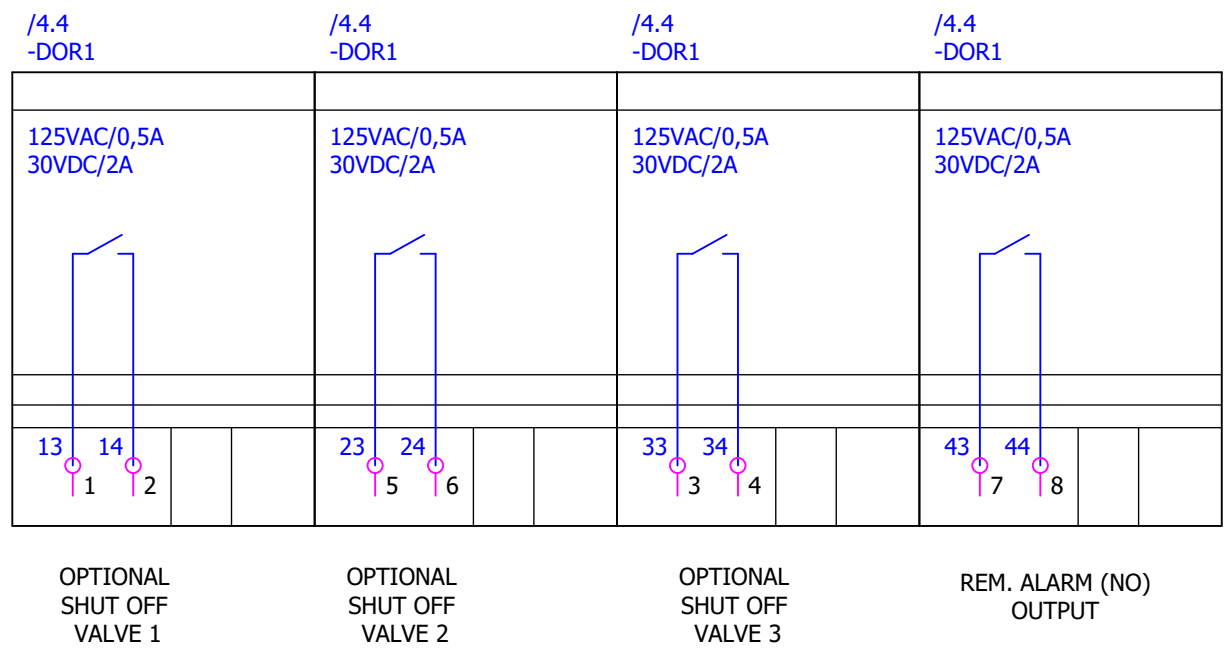


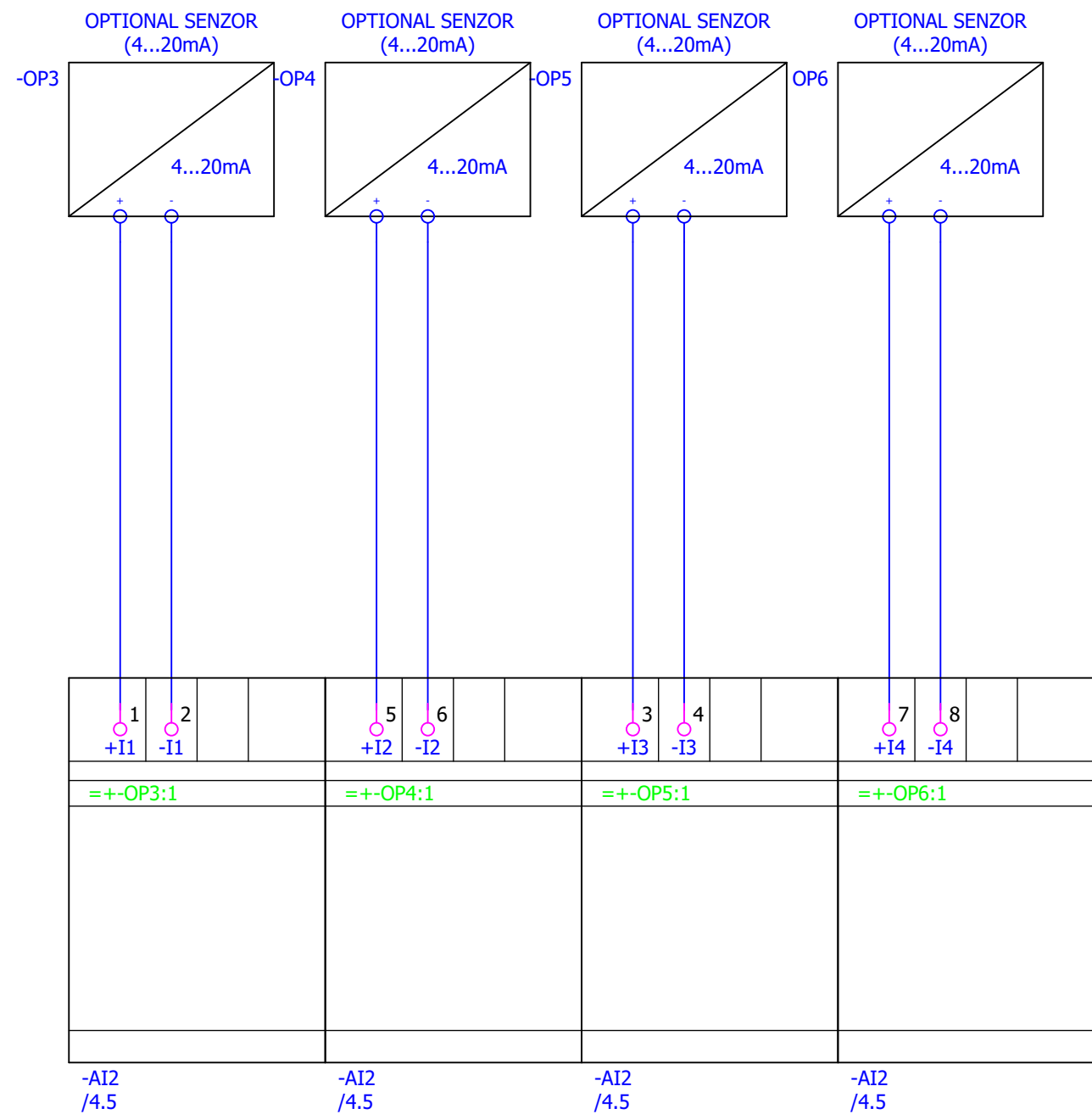
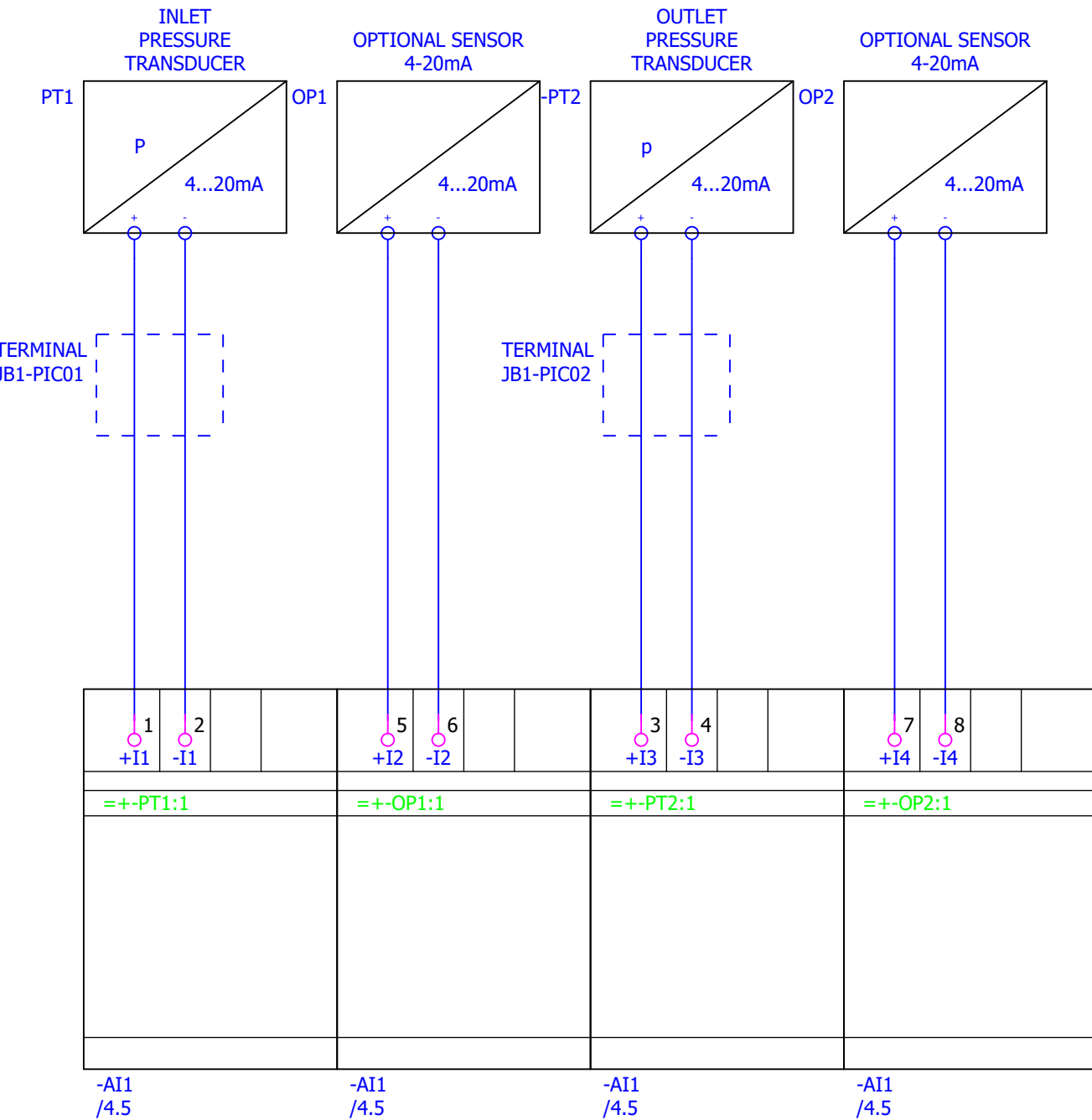


5.9 / +24 VDC → +24 VDC / 11.1

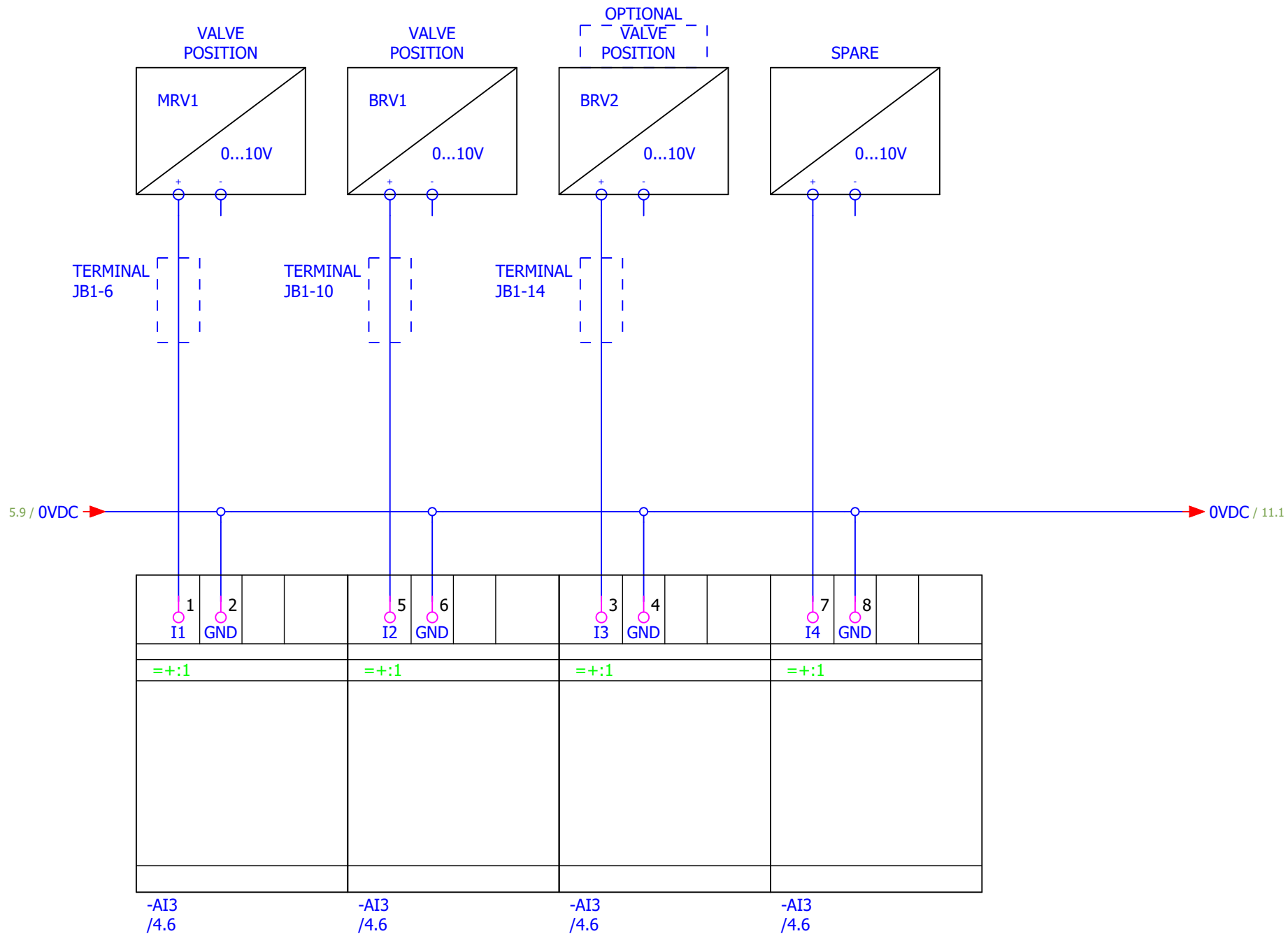


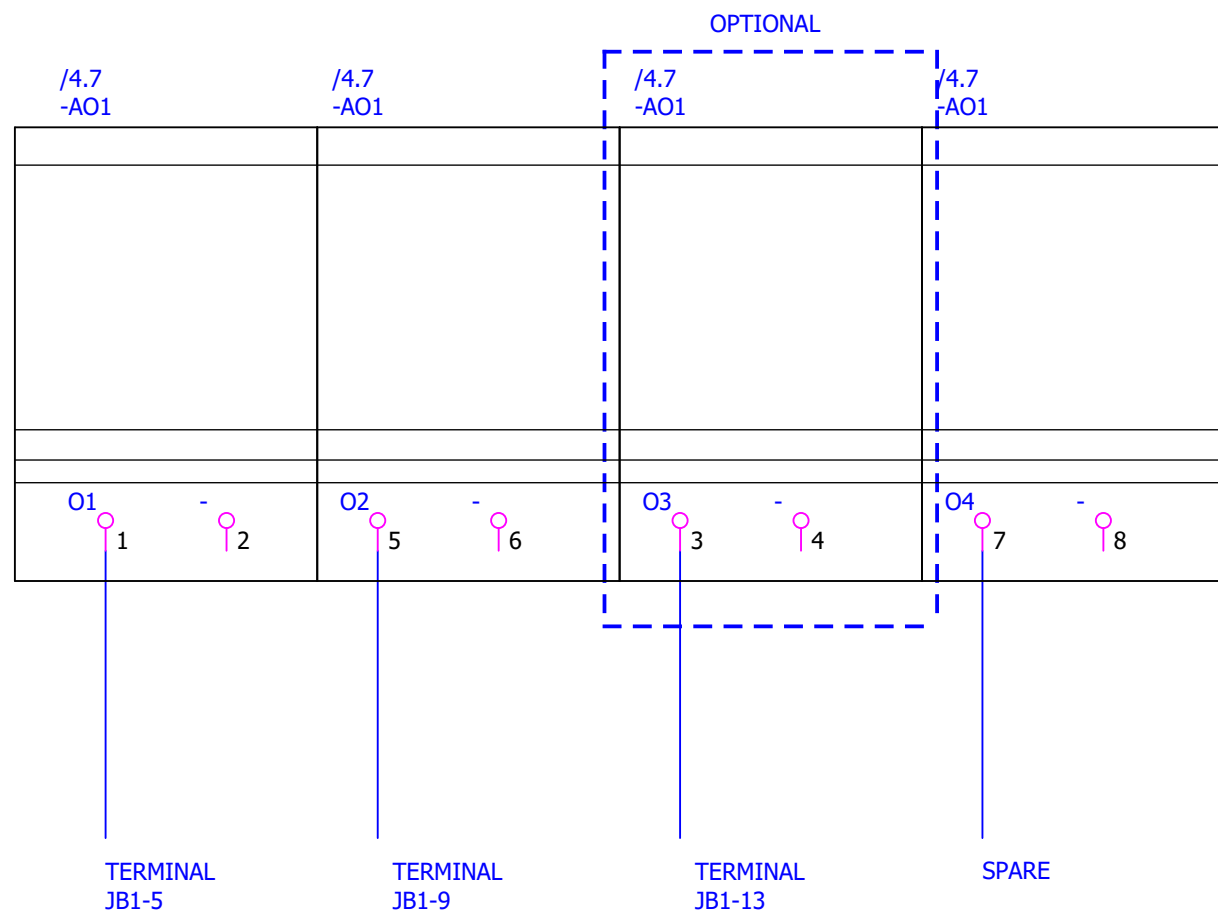
1 I1	2 I2	3 I3	4 I4	5 I5	6 I6	7 I7	8 I8
=+-SPARE	=+-SPARE1	=+-SPARE2	=+-CAEMS_ON	=+-SPARE3	=+-SPARE4	=+-SPARE5	=+-SPARE6
SPARE	SPARE1	SPARE2	CAEMS_ON	SPARE3	SPARE4	SPARE5	SPARE6
-DI1 /4.3	-DI1 /4.3	-DI1 /4.3	-DI1 /4.3	-DI1 /4.3	-DI1 /4.3	-DI1 /4.3	-DI1 /4.3



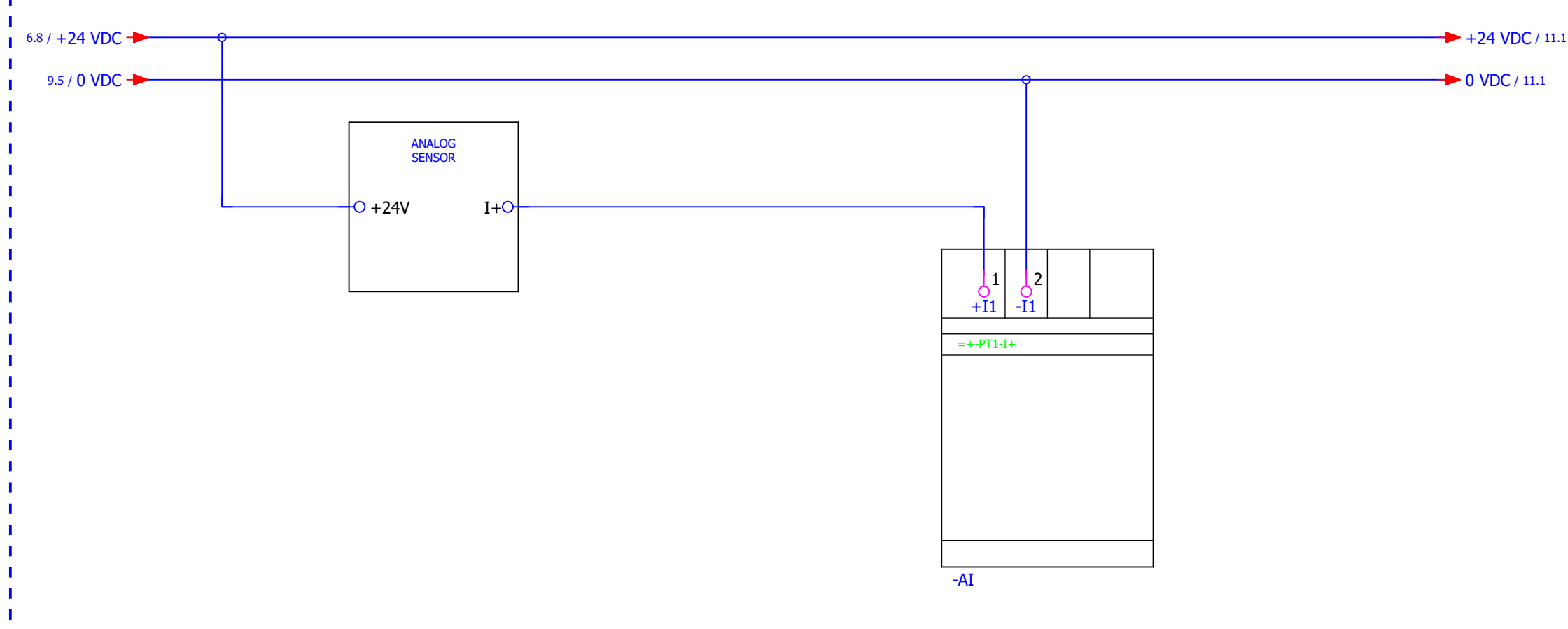




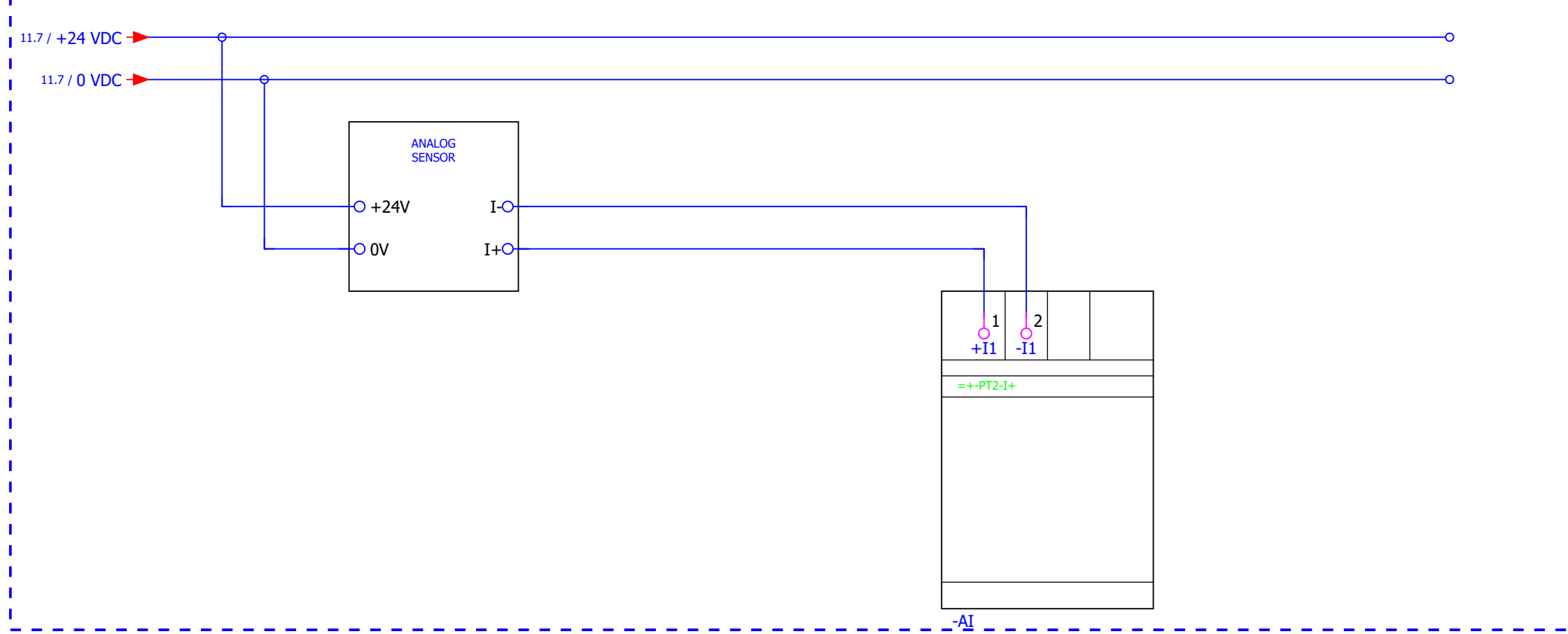




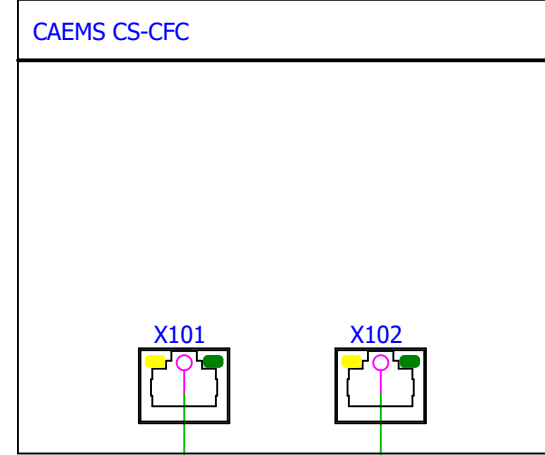
2-WIRE SENSOR - PASIVE\_SENSOR



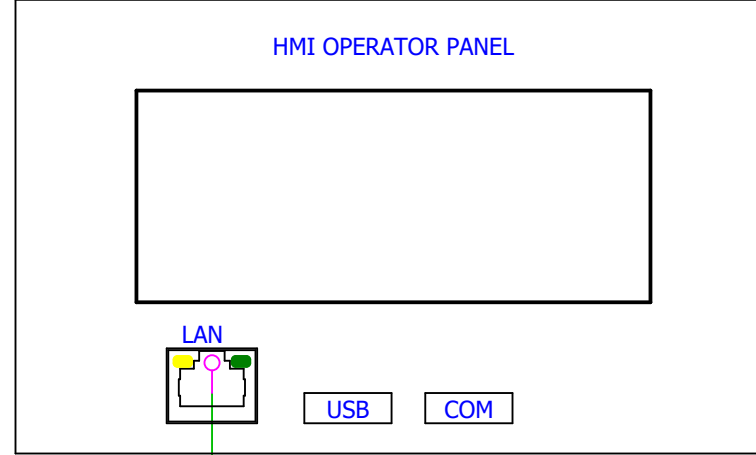
4-WIRE SENSOR - ACTIVE\_SENSOR



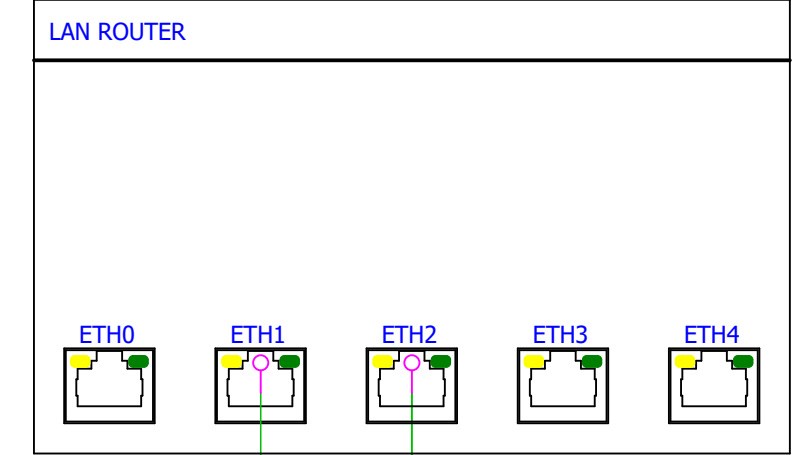
/4.0  
-PLC1



/12.3  
/3.6  
-OP-HMI1

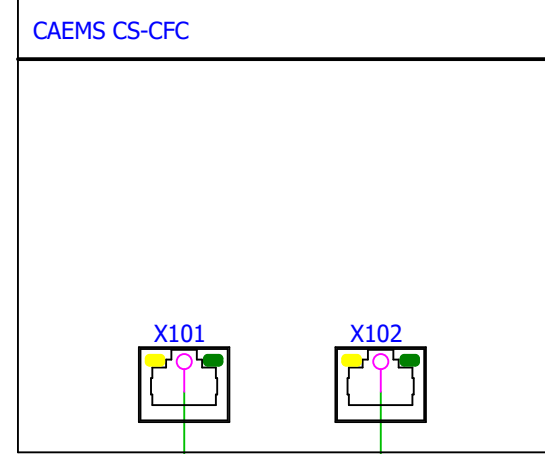


/3.8  
-CS-LAN

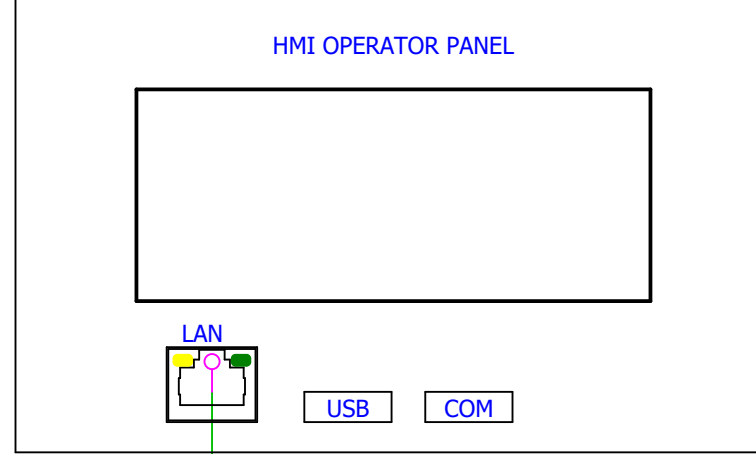


OPTIONAL

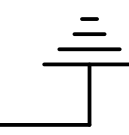
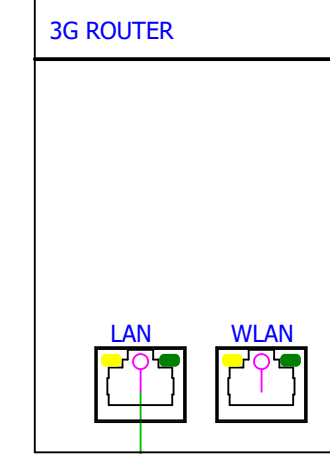
/4.0  
-PLC1

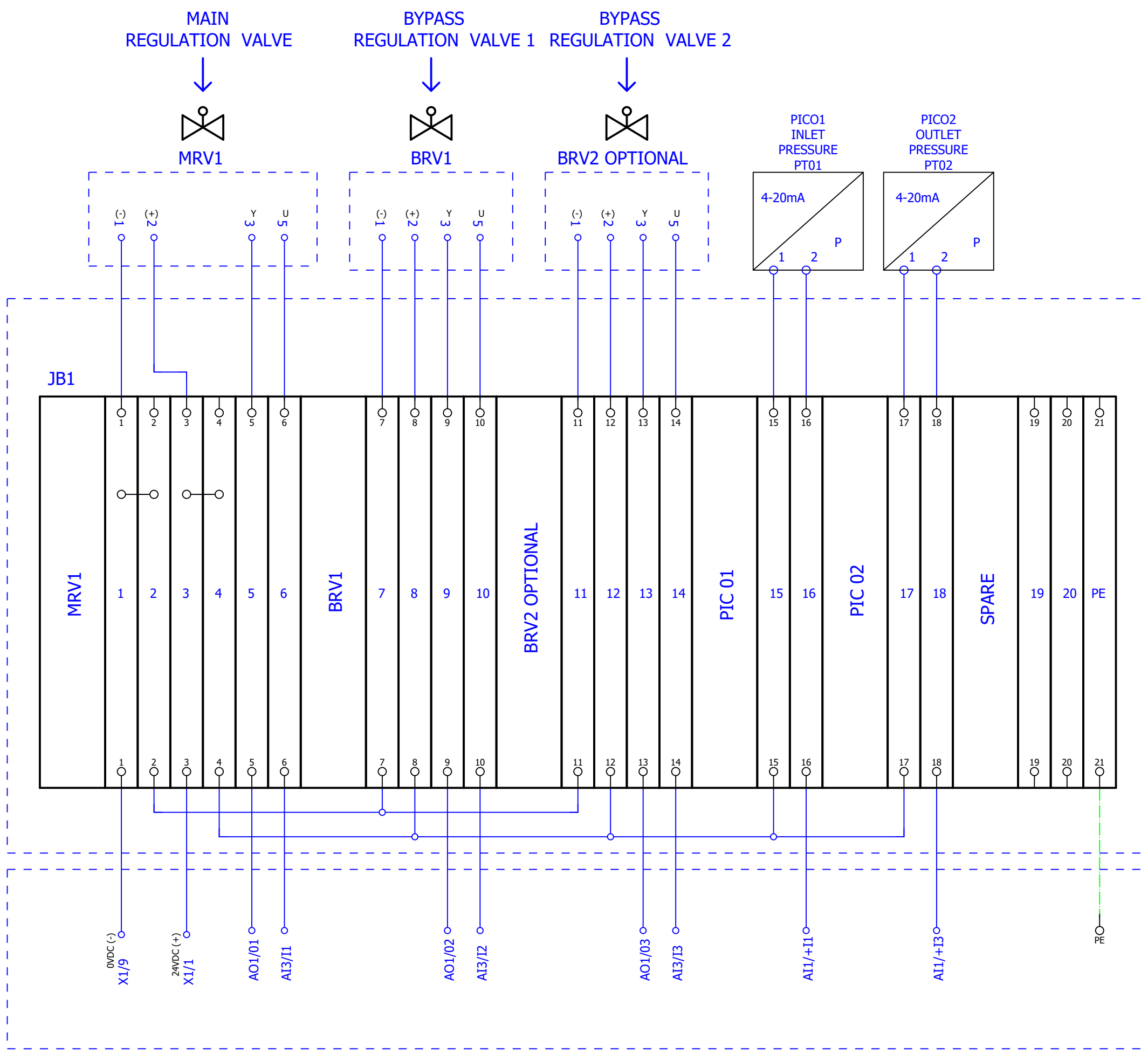


/12.3  
/3.6  
-OP-HMI1



/3.5  
-CS-3G-LAN





CFC JUNCTION BOX

CS-CFC BOX

Date		6.11.2017		Commission: CAEMS		MAIN REGULATION VALVE			
Ed.		Jernej V.		Project description: CS-CFC_V1					
Appr				Replacement of		Replaced by			
Modification	Date	Name	Original					CAEMS_02	Page: 13
									All pages: 13

